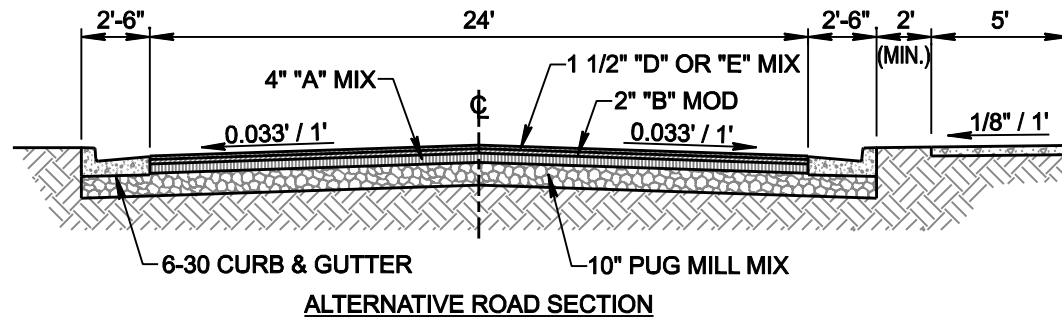
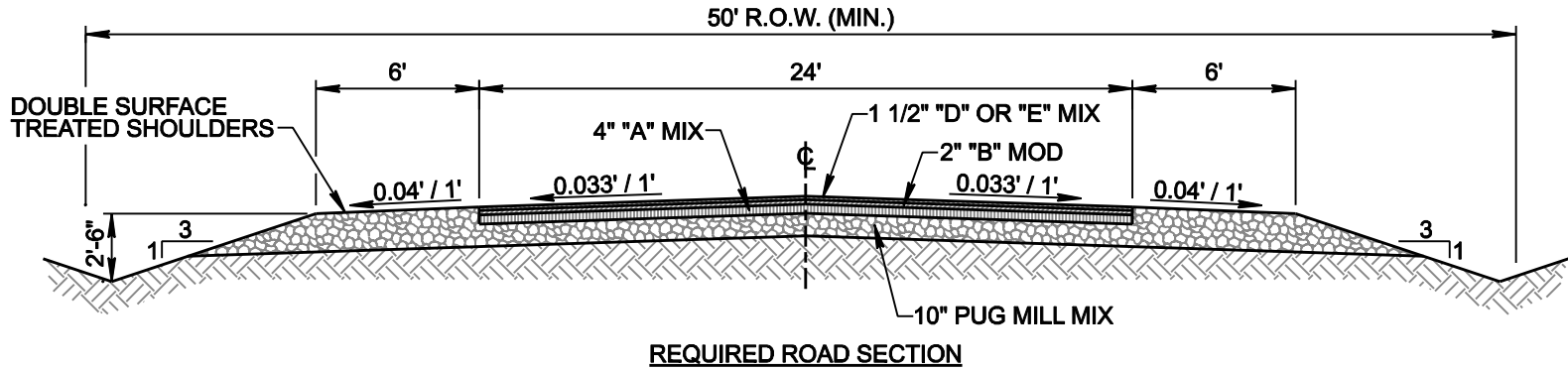




JAMES CIVIL ENGINEERING

110 MATHIS DRIVE, SUITE 204
DICKSON, TENNESSEE 37055
615-740-8283

CITY OF DICKSON
SECTIONS FOR COLLECTOR STREETS



SECTIONS FOR COLLECTOR STREETS
CITY OF DICKSON, TENNESSEE
(NOT TO SCALE)