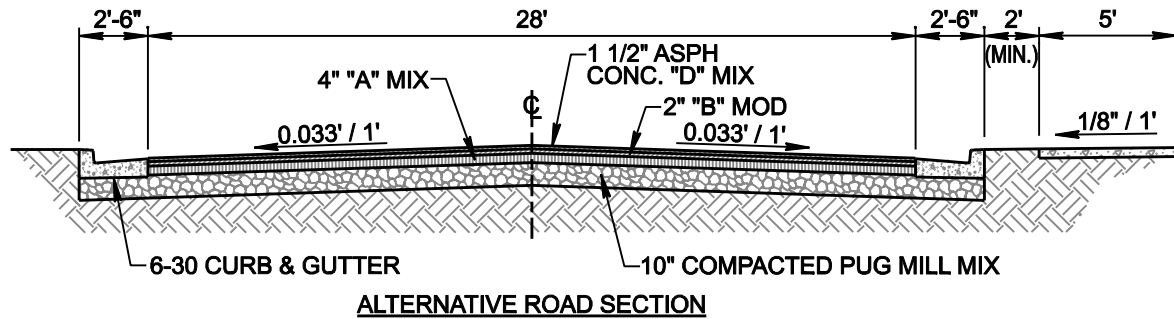
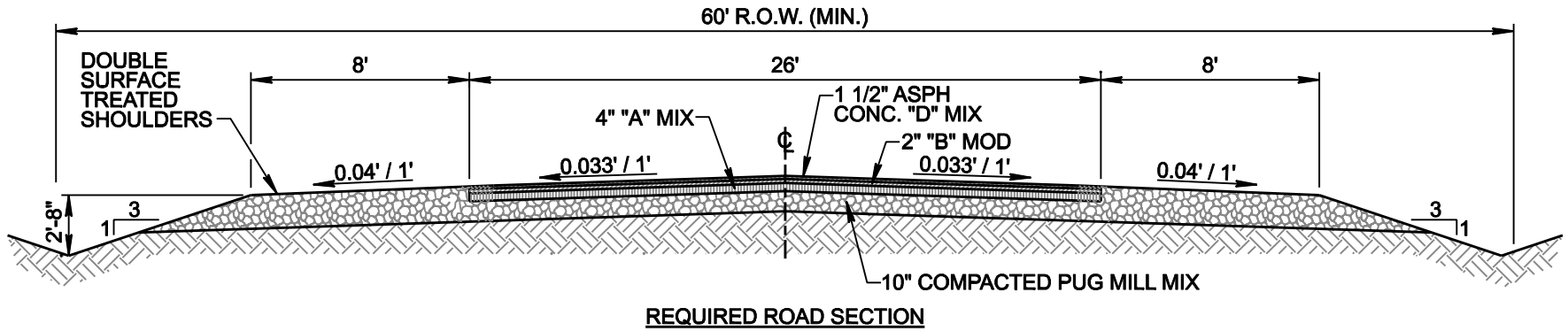




**JAMES CIVIL ENGINEERING**

110 MATHIS DRIVE, SUITE 204  
DICKSON, TENNESSEE 37055  
615-740-8283

**SECTIONS FOR COMMERCIAL - INDUSTRIAL STREETS**  
CITY OF DICKSON



**SECTIONS FOR COMMERCIAL - INDUSTRIAL STREETS**  
**CITY OF DICKSON, TENNESSEE**  
(NOT TO SCALE)