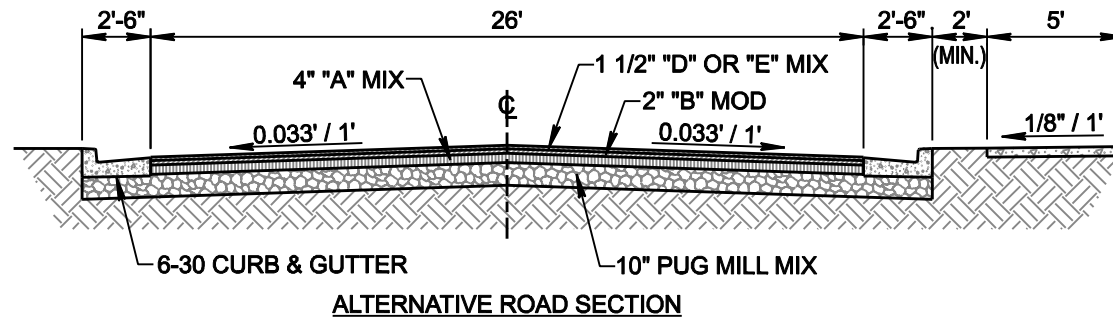
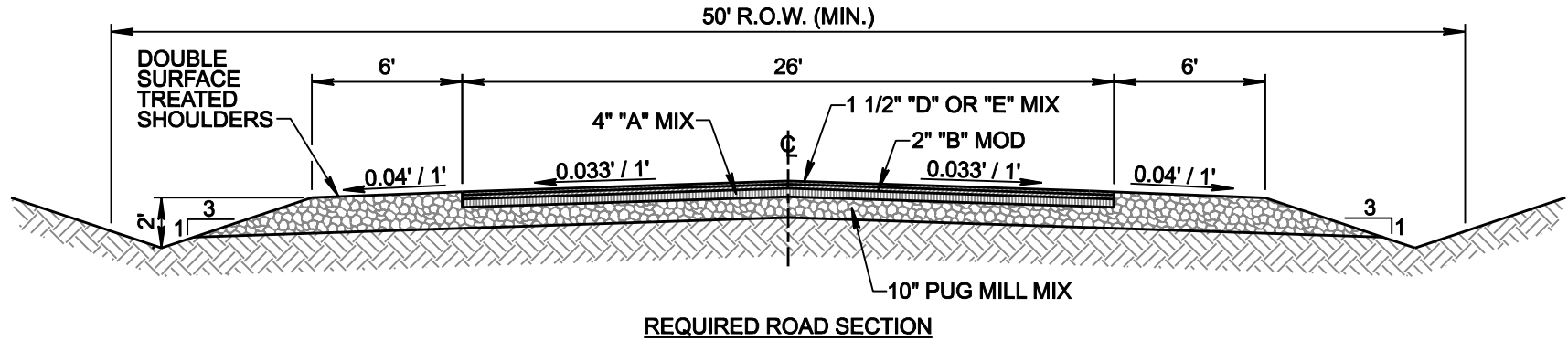




JAMES CIVIL ENGINEERING
110 MATHIS DRIVE, SUITE 204
DICKSON, TENNESSEE 37055
615-740-8283

CITY OF DICKSON
SECTIONS FOR MINOR - COMMERCIAL STREETS



SECTIONS FOR MINOR - COMMERCIAL STREETS
CITY OF DICKSON, TENNESSEE
(NOT TO SCALE)